

## Programming setup

**General set up of sensing point P1 (longest distance) and P2 (shortest distance) independently of the sensor type or function.**

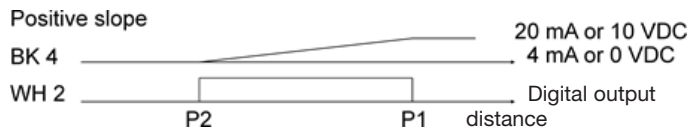
- 1) Mount the sensor in the selected application.
- 2) Place a target in front of the sensor at the maximum required distance (P1), then press shortly on the teach-button. The yellow LED switches Off and then On again after a maximum of 2 seconds. Now, the distance (P1) is saved in the sensor, and the target can be moved. I)
- 3) Place the target at the minimum distance requested (P2), then press shortly on the teach-button. The yellow LED turns Off and then flashes 5 times. Now, the distance (P2) is saved in the sensor and the target can be moved. II)

I) P1 can be set to maximum exceeding the family specification for the sensor by removing the target in front of the sensor. Push and hold the teach-button more than one second and the sensing distance is set at a unique distance for this sensor only. Do not use this function for an analogue output.

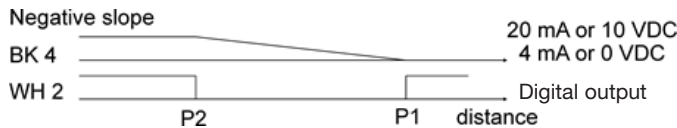
II) The second switch point can be set to minimum by setting the target within the blind zone close to the sensor head or by covering the sensor head with your hand while teaching P2.

### Sensors with 1 digital output and one analogue output UA..EAD..PG/PK/NG or NK types

- 1) The factory settings are Normally Open (N.O.) for the digital output and positive slope for the analogue output.

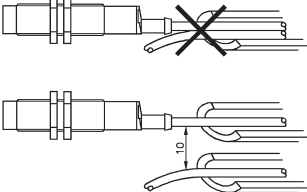
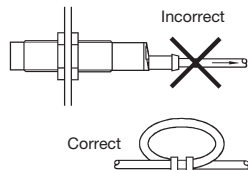
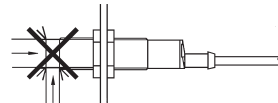
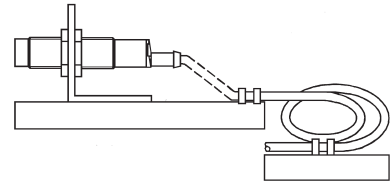


- 2) To reverse the slope to negative and reverse the N.O. output to N.C., push the teach-button for 8 seconds (12 for UC18EAD15..) until the yellow LED flashes fast. Release the teach-button and the LED will flash 5 times to acknowledge the change in function.



- 3) To switch back to positive slope or N.O. output, repeat step 2.

## Installation Hints

|   |   |   |  |
|---|---|---|--|
| <p>To avoid interference from inductive voltage/current peaks, separate the prox. switch power cables from any other power cables, e.g. motor, contactor or solenoid cables</p>  | <p>Relief of cable strain</p>  <p>Incorrect</p> <p>Correct</p> <p>The cable should not be pulled</p> | <p>Protection of the sensing face</p>  <p>A proximity switch should not serve as mechanical stop</p> | <p>Switch mounted on mobile carrier</p>  <p>Any repetitive flexing of the cable should be avoided</p> |
|---|---|---|--|

## Delivery Contents

- Ultrasonic sensor: UA18EAD....
- Installation instruction
- Mounting: 2 x M18 Nuts
- **Packaging:** Carton box 35 x 107 x 173 mm